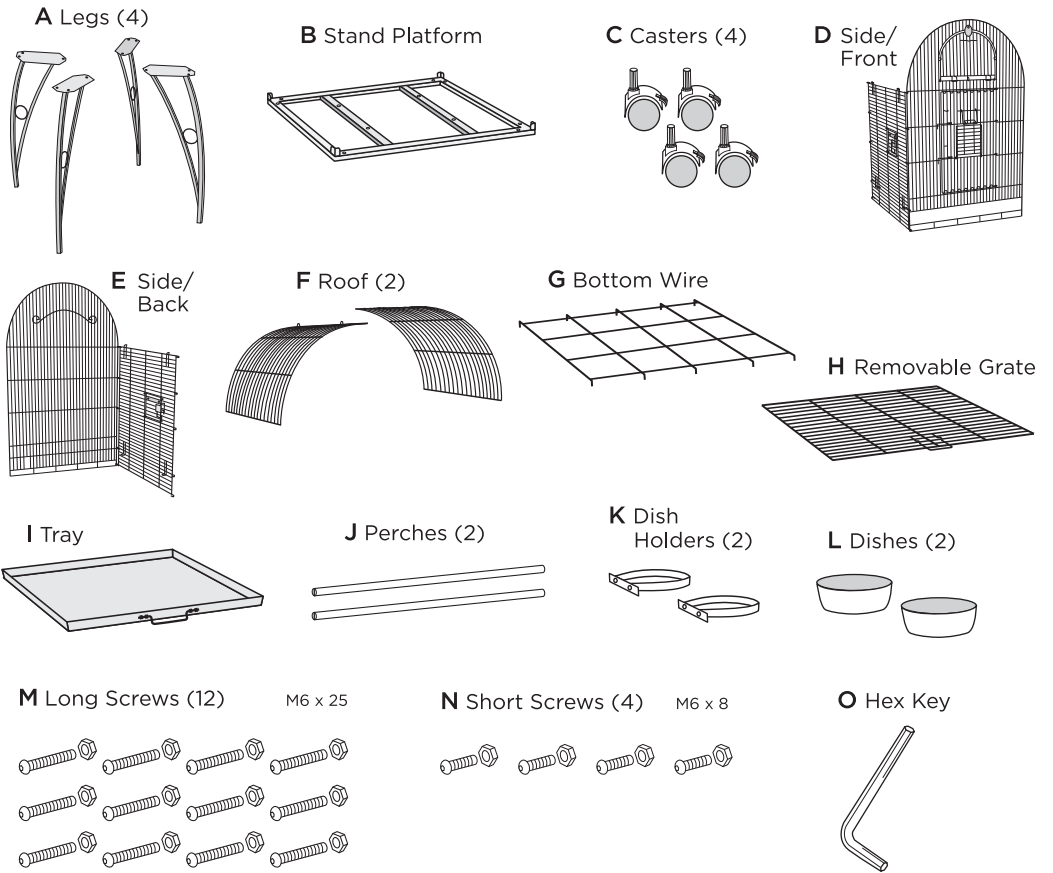


COCKATIEL HABITAT WITH STAND

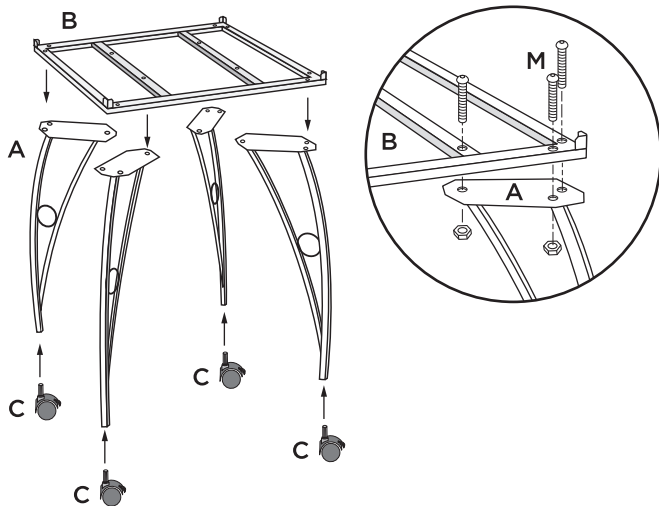
Thank you for your purchase. For questions & inquiries, please contact our customer relations line at 1-888-824-7257. For online orders, contact us at 1-877-738-6742 or visit us at petco.com.

PARTS

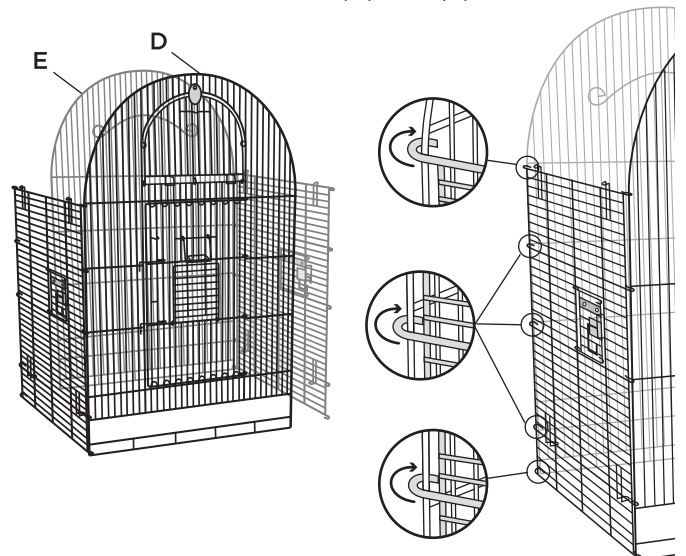


ASSEMBLY INSTRUCTIONS

STEP 1 Using Hex Key (O), attach Legs (A) and Stand Platform (B) together using Long Screws (M). Insert screw from top, attach nut on underside. Snap Casters (C) into bottom of Legs.

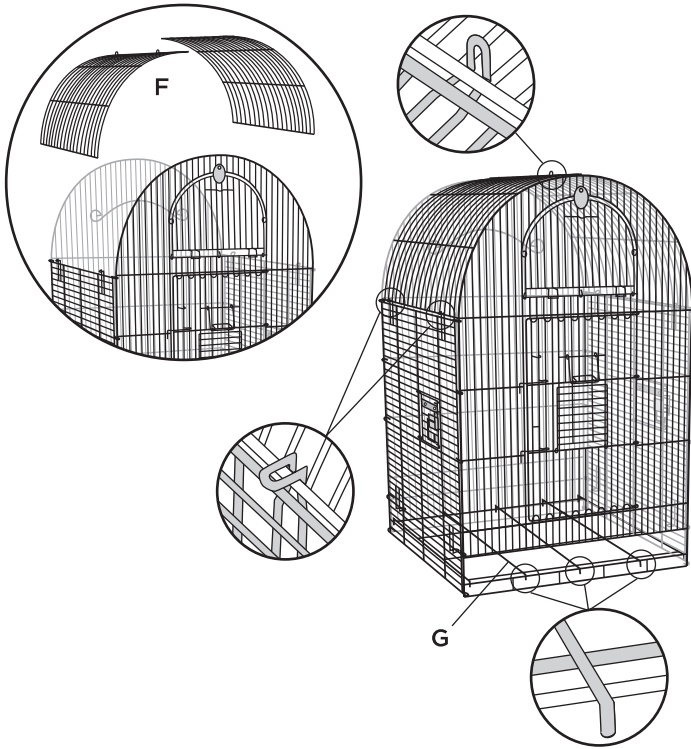


STEP 2 Attach Side/Front (D) and Side/Back (E). Interlace the four secondary hooks at edges as shown to secure (D) and (E).



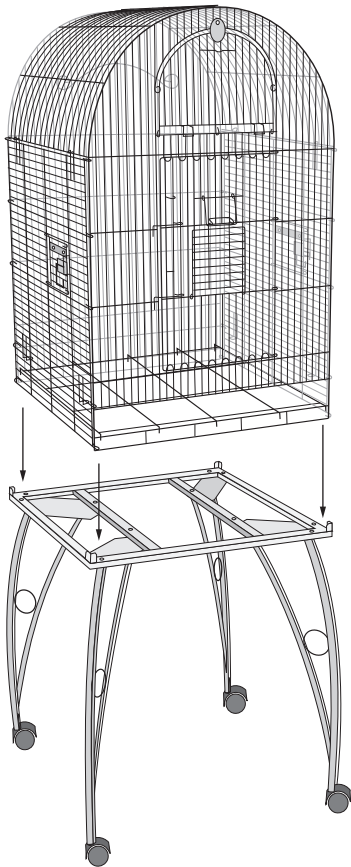
STEP 3

Attach Roof (F) to habitat as shown. Interlace hooks on sides and top to secure. Insert Bottom Wire (G) into habitat.



STEP 4

Set the assembled habitat onto the stand as shown.



STEP 5

Insert Grate (H), then Tray (I) into bottom of habitat. Insert Perches (J) as shown. Attach Dish Holders (K) to interior of hinged doors in habitat sides using Short Screws (N). Insert screw from the inside of habitat so that screw end with nut is outside. Tighten securely with Hex Key (O). Insert Dishes (L) into Dish Holders (K)

