

Assembly Instructions for SL54DD

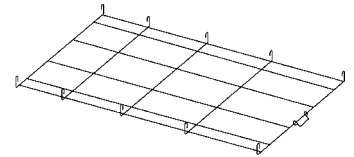
IMPORTANT INFORMATION!

1. Remove collar, tags & leads from pet before placing it in the home to prevent possible entanglement.
2. Please save sales receipt as proof of purchase for warranty purposes.

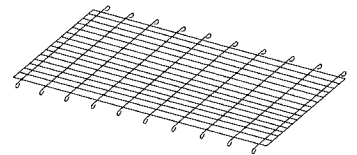
Parts Identification

If you discover any parts are missing, immediately call our toll-free service helpline at 1-800-428-8560.

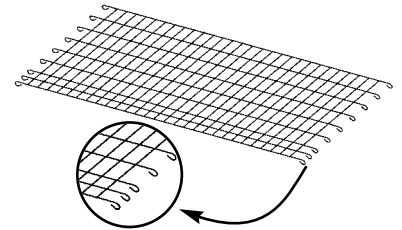
- A Bottom Panel** - The bottom panel has the widest spaces between the wires and upright bent hooks.



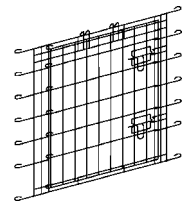
- B Top Panel** - The top panel has open hooks on the length of two sides.



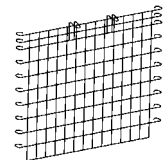
- C Long Side Panel (2)** - Each Side Panel has two closely spaced wire rungs at the bottom. Use these rungs to help identify the bottom. One Side Panel has a door.



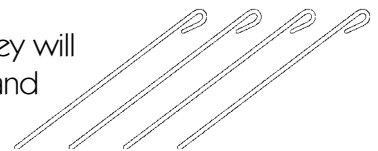
- D Door Panel (Front)** - This is the shorter panel with the hinged door and U-shaped slide bolt locks. The top of the Door Panel has two bent wire hangers.



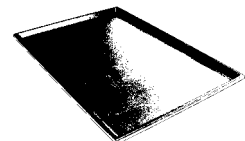
- E Back Panel** - Same size as door panel but is solid mesh. Top of back panel has two bent wire hangers.



- F Corner Rods (4)** - These are straight wire rods with hooks on the end. They will be inserted downward through the corner loops to secure the top, sides and bottom of your pet home.



- G Bottom Pan** - This is a slide-in pan which can be easily removed for cleaning.



While one person is able to assemble this pet home, some may find it easier if another person assists with “an extra pair of hands.”

Assembly Instructions

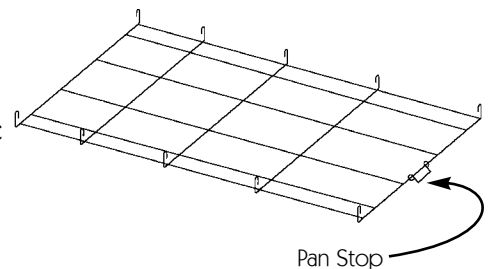
Drawings may vary from actual product

TOLL-FREE SERVICE HELPLINE:

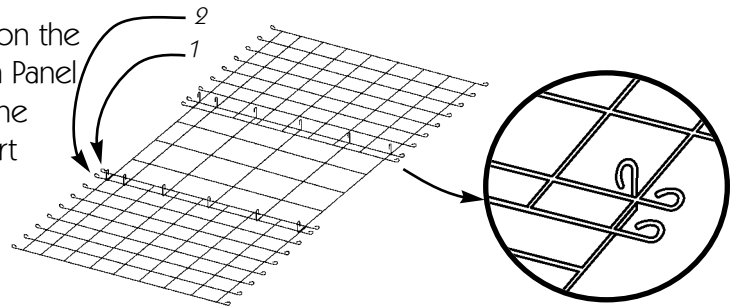
If you have any problems or questions with the assembly, call our Service HELPLINE at **1-800-428-8560** between 9:00 am and 4:00 pm (EST) Monday - Friday.

- 1** Remove the contents of the packing carton. Sort and identify all the pieces described in the Part Identification. (When packed in the factory, the Corner Rods are inserted into the loops of the Door Panel and Back Panel.)

- 2** Locate the Bottom Panel (A) and place it flat on the floor with the hooks of the Bottom Panel extending upward as shown. Locate the Pan Stop attached to one end of the Bottom Panel.

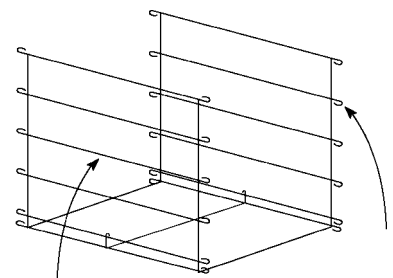


- 3** Locate the two Side Panels (C) and lay them flat on the floor, one on each lengthwise side of the Bottom Panel as shown. Lay the Side Panel with the Door on the right side of the Pan Stop. The loops on the short ends of each Side Panel and the exposed wires should face upward.

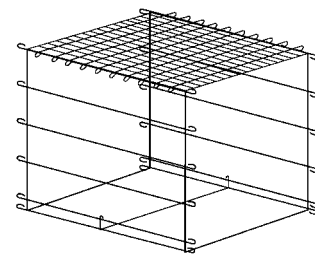


- 4** Slightly lift and place the long edge of each Side Panel over the hooks on the Bottom Panel so that the second rung from the bottom of each Side Panel overlaps and rests directly under the hooks of the Bottom Panel.

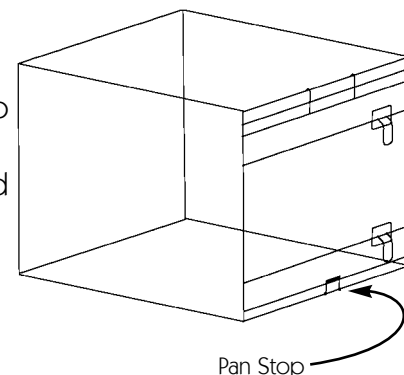
- 5** Using both hands (or with the assistance of a friend), pull the two Side Panels outward and upward to form a “U” shape. (Make sure the second rung from the bottom of each Side Panel slides up to connect inside the upright hooks of the Bottom Panel.)



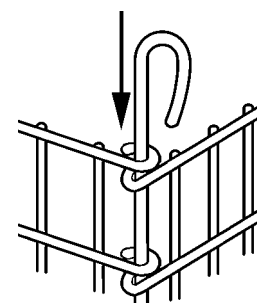
- 6** Position the Top Panel (B) over the upright Side Panels with the hooks facing downward. Connect the hooks of the Top Panel to the top rungs of the two upright Side Panels.



- 7** Locate the open end of the pet home that has the pan stop attached to the end of the bottom panel. Position and hang the Door Panel (D) using the two hangers attached to the top rung. It will swing down naturally into position. The uppermost loop on the door panel should rest on top of the uppermost loops on the side panels. The door should be positioned so that the slide-bolt latches are on the *right* side, enabling the door to open *outward from right-to-left*.



- 8** Take two of the Corner Rods (F) and insert them downward through the various intersecting loops of the two front corners.



- 9** Position and hang the back panel (E) against the open end of the pet home using the two hangers attached to the top rung. It will swing down naturally into position. The uppermost loops on the back panel should rest on top of the uppermost loops on the side panels.

- 10** Take the remaining two Corner Rods and insert them downward through the various intersecting loops of the front corners as shown in step 8.

- 11** Insert the Bottom Pan (G) by sliding it onto the floor of the Pet Home. Secure the Bottom Pan inside the Pet Home with the pan stop attached to the front rung of the Bottom Panel.

NOTE: To protect the finish of your Pet Home and the bottom pan, use only mild, non-abrasive cleaners and water. Any coarse scrubbing or abrasive materials could damage the finish.

LIMITED MANUFACTURERS WARRANTY

1. For one (1) year from the date of original purchase, MidWest Homes For Pets ("MidWest") warrants to the purchaser of this pet home that, should it prove defective by reason of improper workmanship and/or material, MidWest will repair or replace, at its option, any defective part of the pet home, without charge for the part or for shipping. Replacement parts are warranted for the remainder of the original period.

2. **THIS WARRANTY DOES NOT COVER** defects in the wire enclosure caused by any animal, any physical abuse to or misuse of the pet home, any damage caused by the original purchaser or any third party, or any defects arising or discovered more than one (1) year from the original retail purchase date.

3. **STEPS TO OBTAIN WARRANTY SERVICE:**

A. The purchaser must call MidWest's HELPLINE, 800-428-8560, to report the alleged defect to a customer service representative or obtain missing parts.

B. The customer service representative will determine if the defect is covered by this warranty, and if it is, will authorize and instruct the purchaser in how to obtain corrective action.

C. MidWest may require the purchaser to present the sales receipt or other proof of purchase prior to authorizing any return or replacement. No returns or replacements will be permitted without proper authorization. If a return or replacement is authorized, you may be requested to return the item to MidWest or to make the item available for pick-up by MidWest.

4. **ANY EXPRESS WARRANTY NOT PROVIDED IN THIS WARRANTY DOCUMENT, AND ANY REMEDY FOR BREACH OF CONTRACT THAT, BUT FOR THIS PROVISION, MIGHT ARISE BY IMPLICATION OR OPERATION OF LAW, IS HEREBY EXCLUDED AND DISCLAIMED. THE IMPLIED WARRANTIES OF MERCHANTABILITY AND OF FITNESS FOR ANY PARTICULAR PURPOSE ARE EXPRESSLY LIMITED TO A TERM OF ONE (1) YEAR. SOME STATES DO NOT ALLOW LIMITATIONS ON HOW LONG AN IMPLIED WARRANTY LASTS, SO THE ABOVE LIMITATIONS MAY NOT APPLY TO YOU.**

5. **UNDER NO CIRCUMSTANCES SHALL MidWest BE LIABLE TO PURCHASER OR ANY OTHER PERSON OR ANY SPECIAL, INCIDENTAL OR CONSEQUENTIAL DAMAGES, WHETHER ARISING OUT OF BREACH OF WARRANTY, BREACH OF CONTRACT OR OTHERWISE, SOME STATES DO NOT ALLOW THE EXCLUSION OR LIMITATIONS OF INCIDENTAL OR CONSEQUENTIAL DAMAGES, SO THE ABOVE LIMITATIONS OR EXCLUSION MAY NOT APPLY TO YOU.**

6. This warranty gives you specific legal rights, and you may also have other rights which vary from state to state.

