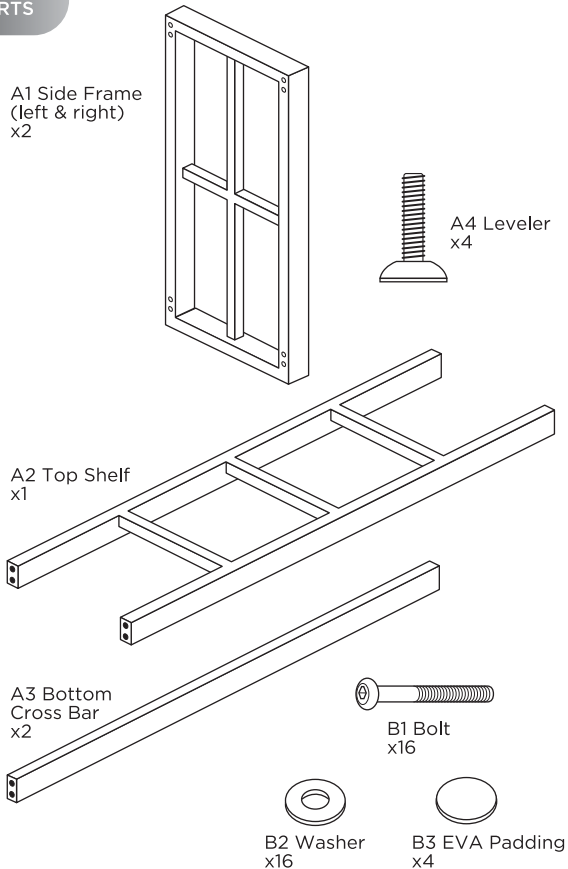


55-GALLON METAL TANK STAND INSTRUCTIONS



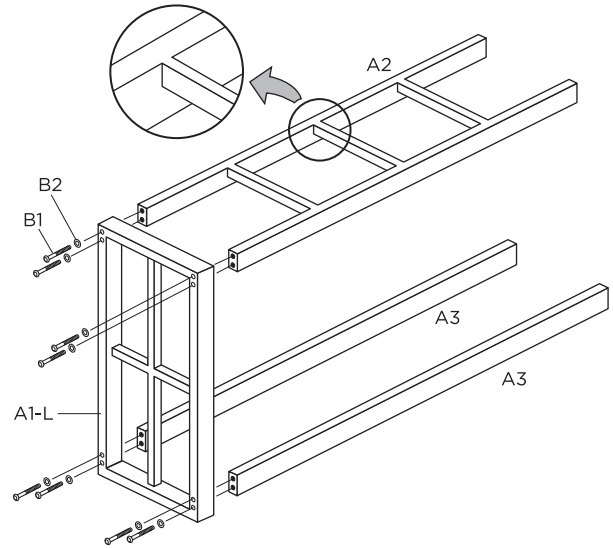
PARTS



Tools Required

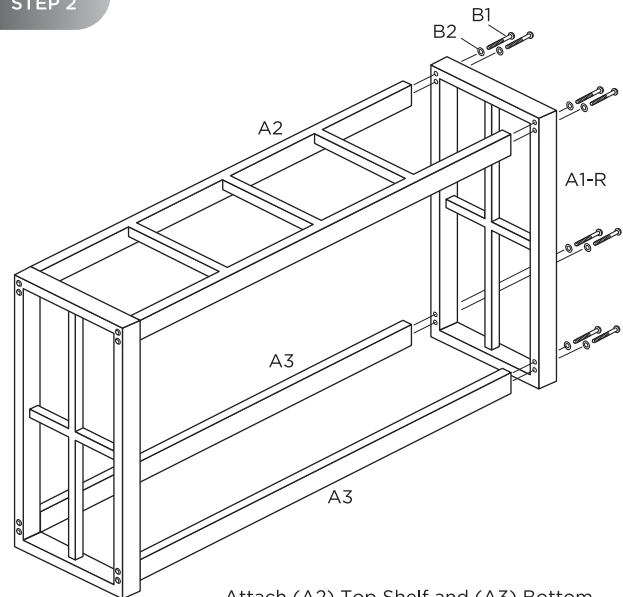


STEP 1



NOTE: Be sure that the two cross support bars on top of the (A2) Top Shelf are flush with the top of the side panels.

STEP 2



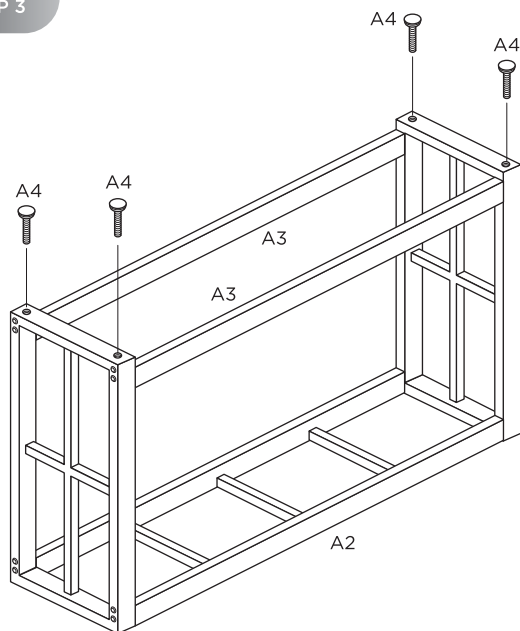
WARNING: Read and follow all warnings and instructions to avoid personal injury to pet or property damage.

READ BEFORE ASSEMBLY

- It is recommended that tank stand is assembled by two adults
- Save all packaging until assembly is completed
- Read ALL instructions
- Do not assemble on uneven flooring, including carpet
- Assemble on a clean non-marking surface
- Unpack all parts and hardware and check list to ensure nothing is missing

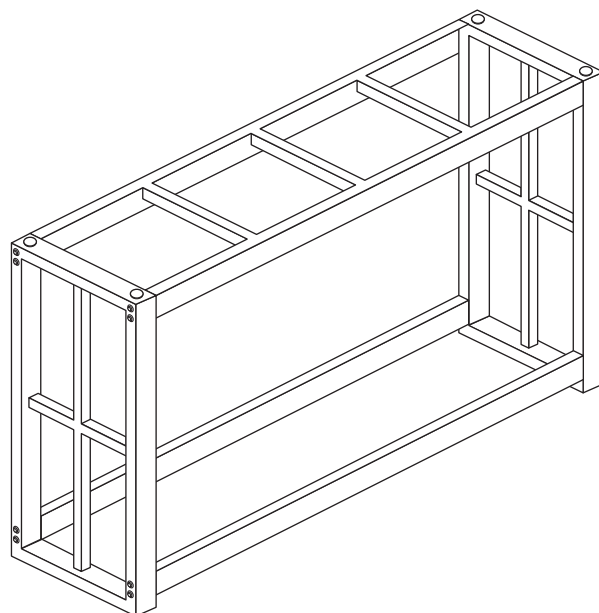
55-GALLON METAL TANK STAND

STEP 3

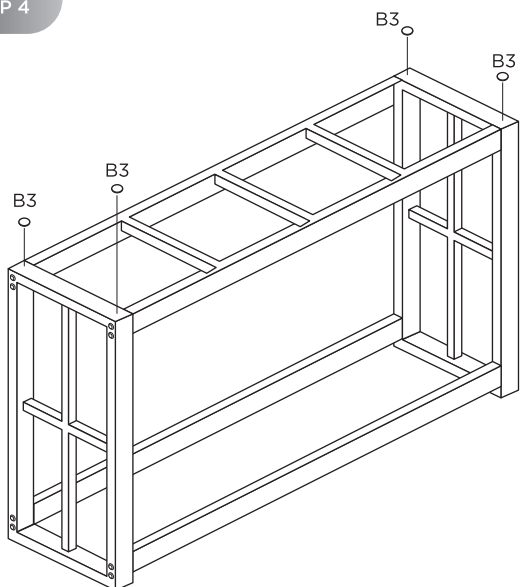


Carefully flip tank stand upside-down so that it is resting on (A2) Top Shelf with the (A3) Bottom Cross Bars facing you. Screw in (A4) Levelers as shown.

Congratulations! You now have a beautiful piece of furniture to showcase your aquarium or terrarium.



STEP 4



Carefully flip tank right-side up. Attach (B3) EVA Padding on all four corners of top surface.

CARE OF POWDER-COATED METAL

Dust often using a soft, dry cloth. Use a cloth lightly dampened with solvent-based cleanser to pick up more dust and immediately wipe with a dry cloth or soft paper towel afterward. Make sure to dry the surface completely. Do not use abrasives or wax. Do not set sharp objects on metal surface without a coaster or mat for protection.

CAUTION: Follow assembly instructions closely. To avoid damage to aquarium, bottom surface of tank should be flat and level when placed on stand. Wipe off excess water to preserve the finish of the stand. Inspect regularly to ensure that there are no cracks or other damage. Place stand on level and stable ground. For additional stability, we recommend placing product against a wall or in a corner. As with most furniture, do not place in direct sunlight or damp area—may cause discoloration and potential rust on metal surfaces. Not recommended for outdoor use.