

Lookout Loft Cat Tree

Assembly Instructions

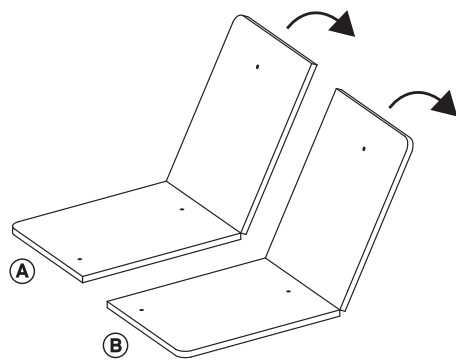
Thank you for your purchase. Follow these step-by-step instructions to properly assemble your Lookout Loft Cat Tree. Read carefully before use and retain for future reference.

Parts List

Tools needed are included. Check that you have all the parts shown BEFORE assembling your product. If any parts are missing, call Customer Service.

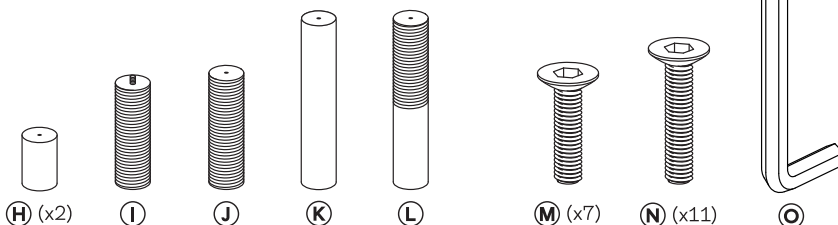
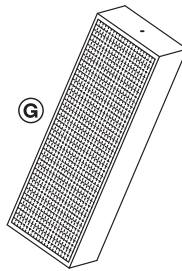
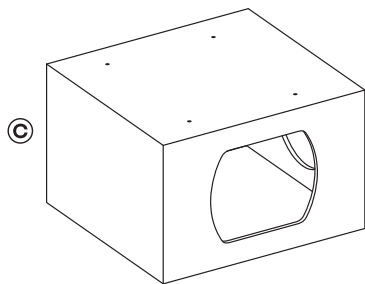
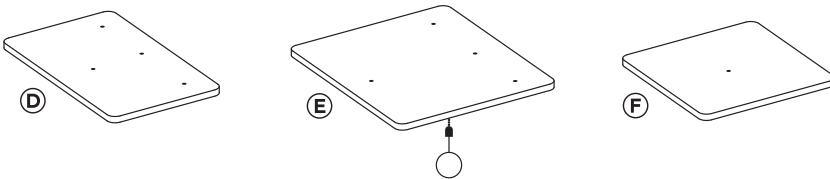
Be a good pet parent, read care guides, books, and research quality care for your pet. Contact a pet professional with any additional care questions.

For questions and inquiries, please contact our customer service line at 1-888-824-7257. For online orders, contact us at 1-877-738-6742, or visit us at petco.com.



(unfold the base plates)

Max weight limit
65 LB
 (29.48 kg)
 wall mount
 recommended



⚠ WARNING

- Read and follow all warnings and instructions in this manual to avoid personal injury to pet or property damage.
- This item is not suitable for children. Keep children away to avoid accidents.
- To avoid damage, do NOT assemble horizontally on the floor and lift to an upright position. Assemble product vertically as shown in the instructions.
- For additional stability, we recommend placing product against wall or corner. Follow the wall mount installation instructions to help prevent the tree from tipping over and causing injury to people or pets.
- Inspect product regularly and re-tighten screws as necessary.
- Always supervise your pet when using this item.
- Inspect product for damage and discard if any part becomes worn, loose or detached.
- As with most furniture, do not place in direct sunlight and/or damp area. This may cause discoloration and potential rust on metal surfaces. It is normal for sisal posts to discolor over time. Not recommended for outdoor use.
- Spot clean only with gentle liquid detergent mixed with water.
- Keep all tools and instructions in a safe place for future reference.

CAUTION: FOR PET USE ONLY. NOT SUITABLE FOR CHILDREN. Inspect regularly and discard if any part becomes damaged. **For additional stability, we recommend placing against wall or corner and use wall anchor provided.** Not recommended for outdoor use. Do not allow children to climb on or hang from furniture. Check all hardware and connections regularly to tighten as needed.

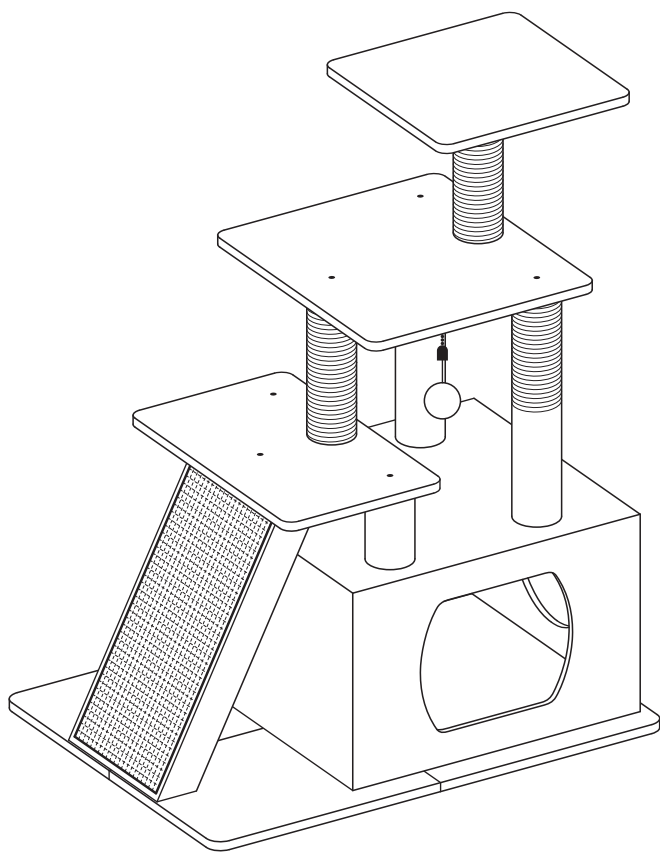
Care Instructions: Spot clean as needed.

Lookout Loft Cat Tree—Assembly Instructions

When assembling your cat tree, place on a flat, stable surface. Assemble vertically starting with the base.

Loose components will result in damage to the cat tree. Ensure all screws are secure and tighten them again after two days. Check that screws are secure once a month to ensure product's stability.

Completed Cat Tree



34 L x 24 W x 46 H IN (86 L x 61 W x 117 H CM)
Max Weight Limit 65 LB (29.48 kg)

Main Assembly

